



# TAMEO KITS



## TMK 414

### LOTUS RENAULT E21

#### 2013 Formula 1 Rolex Australian Grand Prix

#### Winner Kimi Raikkonen

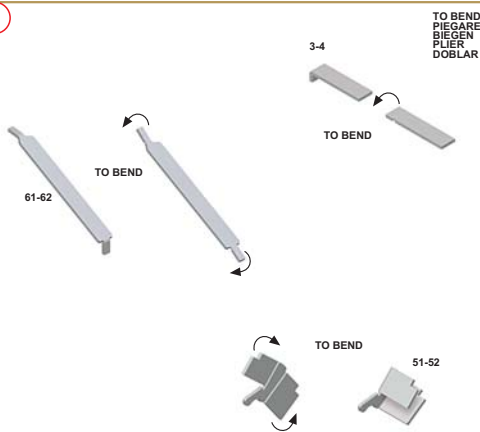
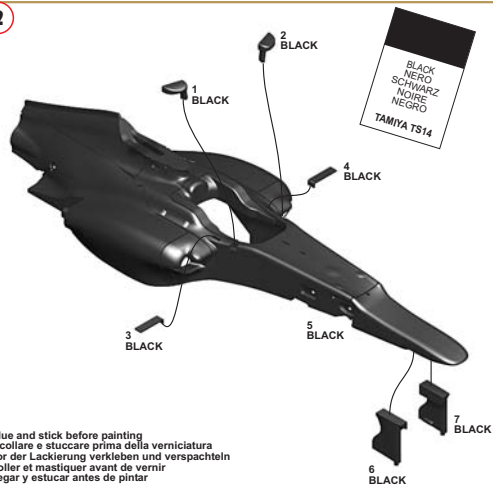
#### Romain Grosjean 10th place



Produced under licence from Group Lotus plc as master licensee of Lotus F1 Team Limited.  
LOTUS and the Lotus Roundel are trademarks of Group Lotus plc.  
LOTUS F1 TEAM name and logo are trademarks owned by, or used under licence by, Lotus F1 Team Limited and Group Lotus plc.  
F1® is a trademark of Formula One Licensing BV.  
Car designs and livery are the property of Lotus F1 Team Ltd and protected by copyright and designs law.

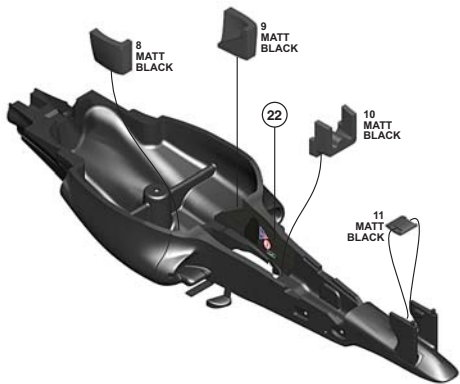




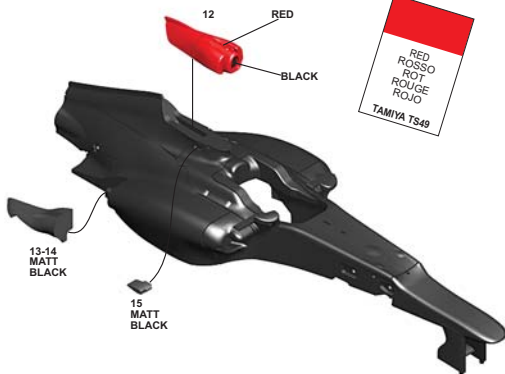
**1****2**



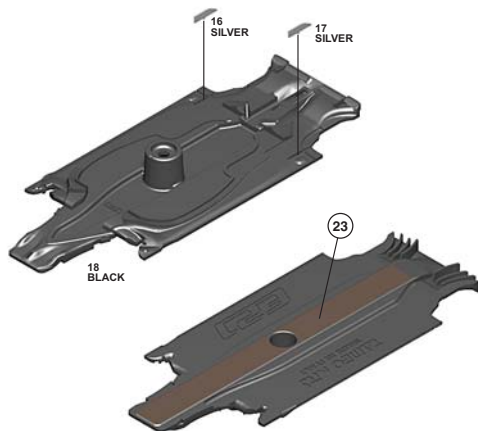
3



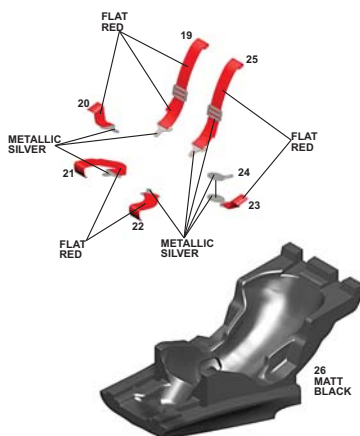
4



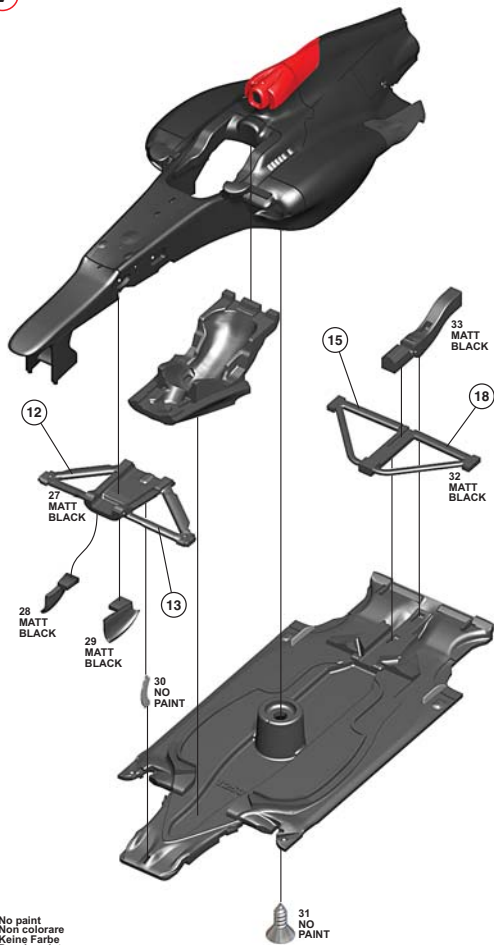
5



6

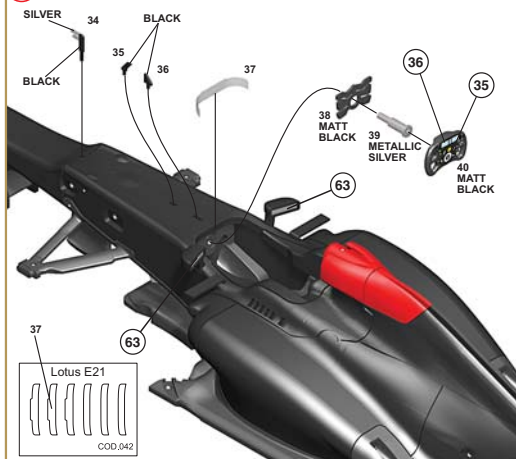


7

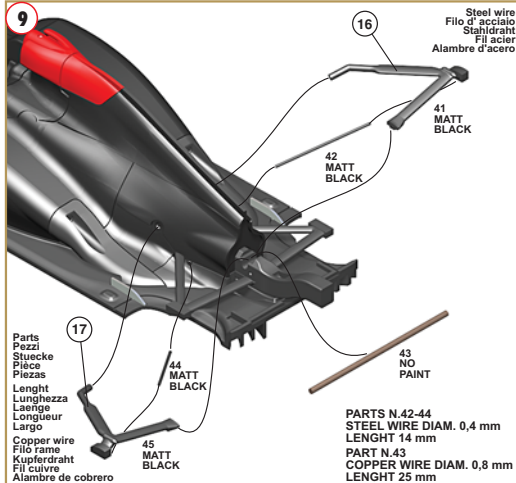


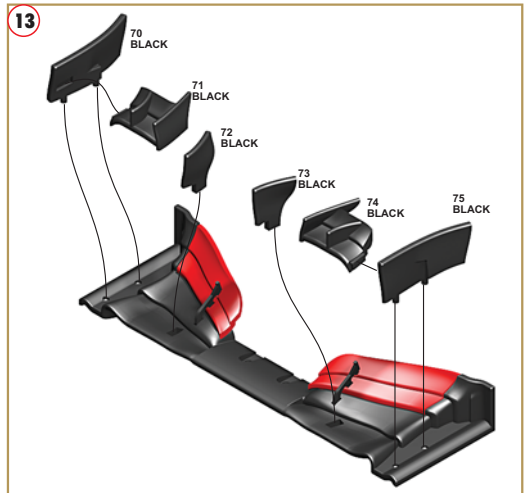
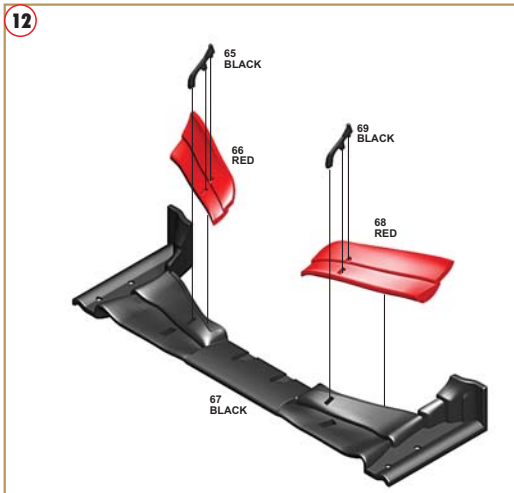
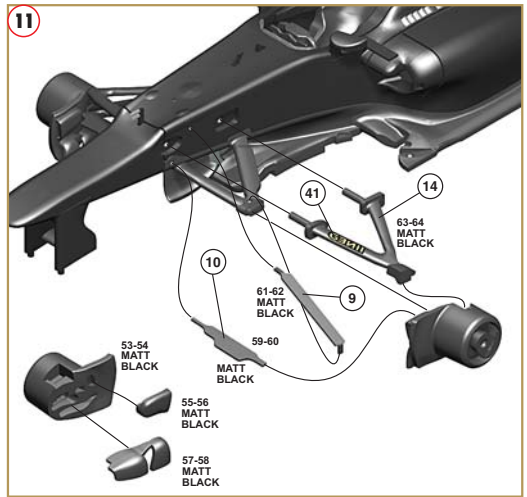
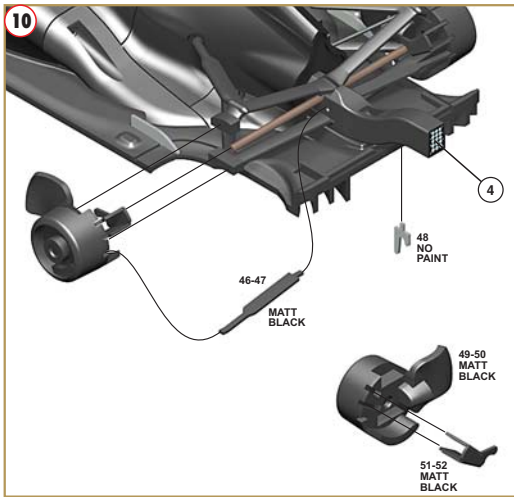
No paint  
Non colorare  
Keine Farbe  
Pas de peinture  
Sin pintura

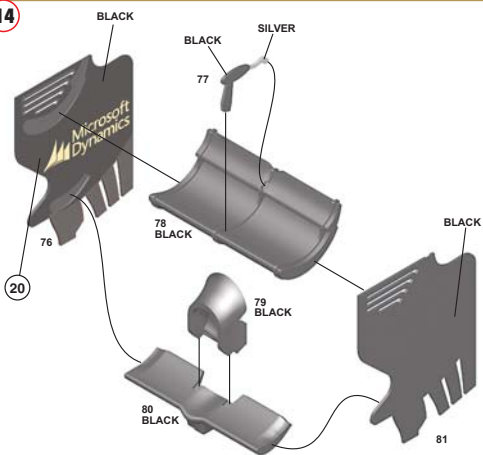
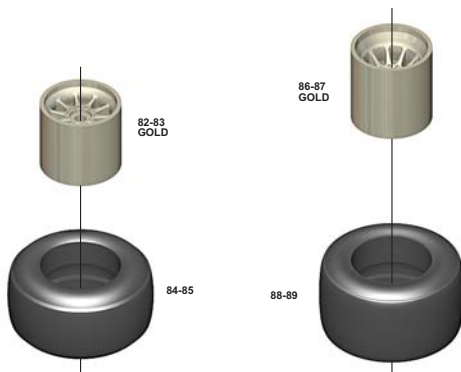
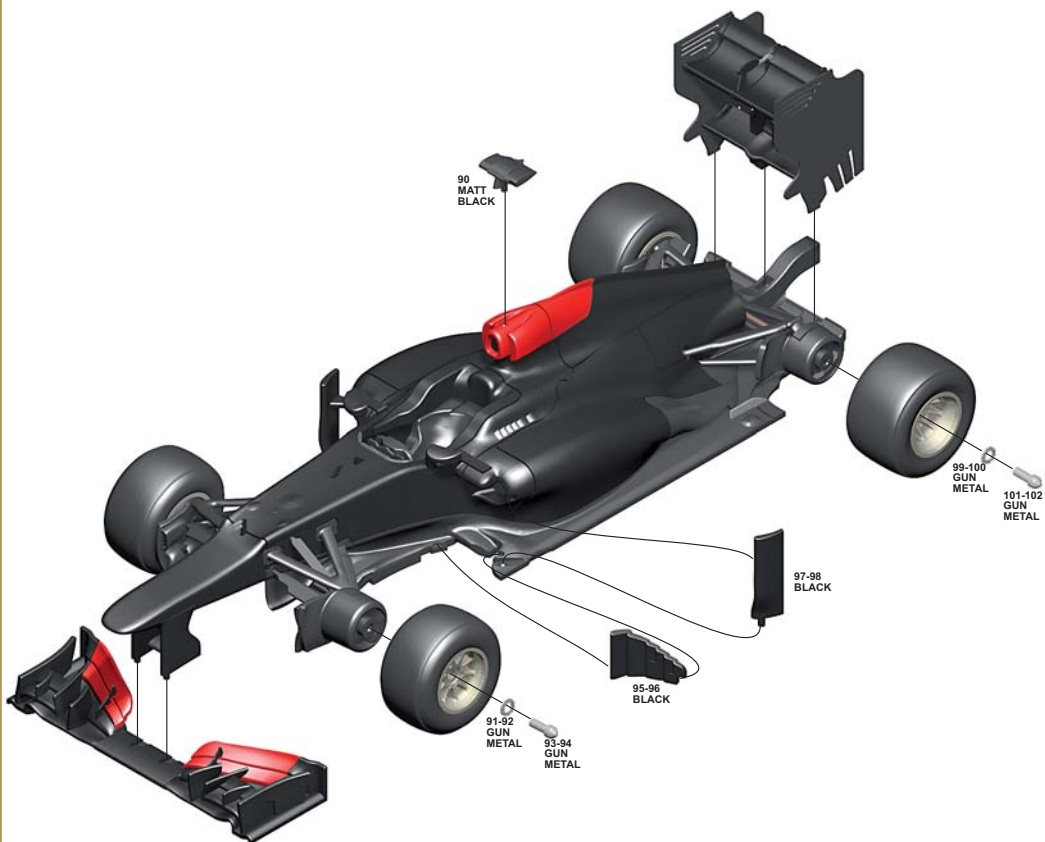
8



9

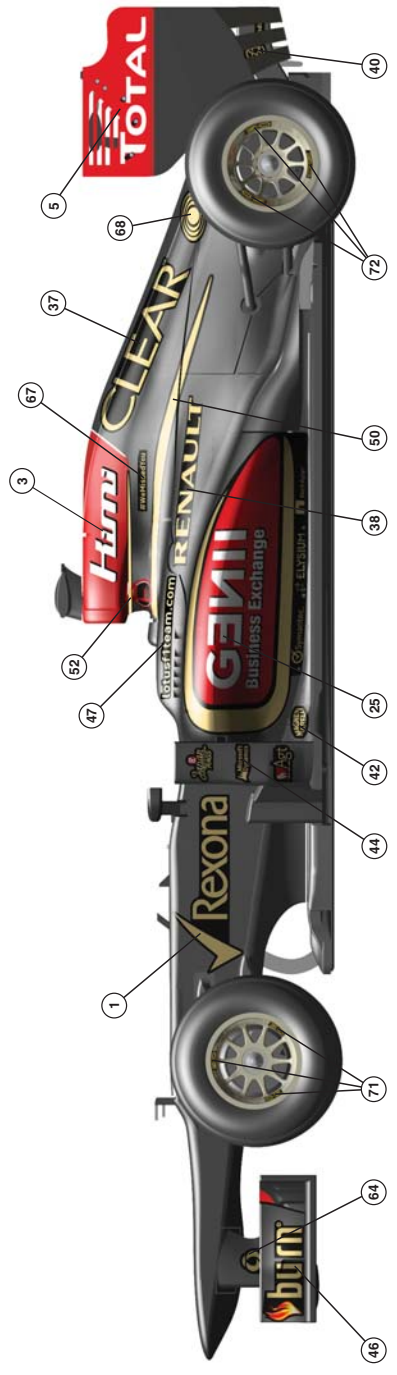
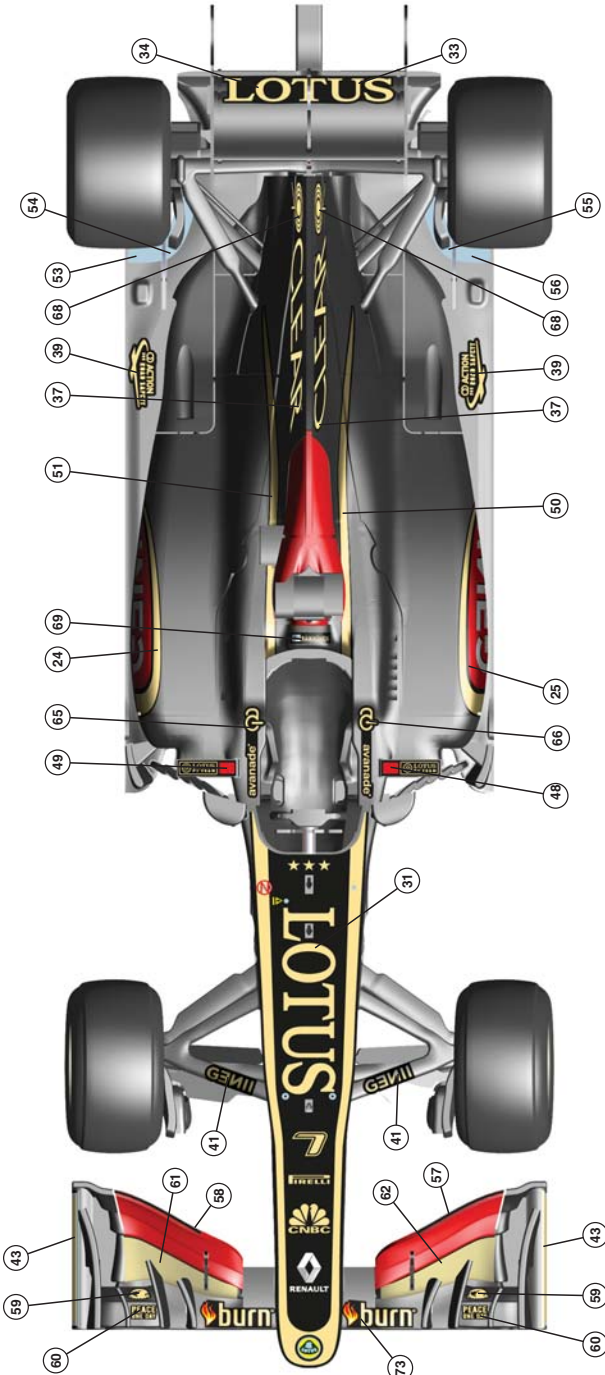




**14****15****16**



# TMK 414 LOTUS RENAULT E21 G.P. AUSTRALIA 2013



7 - K. Raikkonen

1st



8 - R. Grosjean

10th